



VITREOUS CHINA

TOILET
20-019



LOGAN SQUARE™ ErgoHeight™ 17" High Elongated Toilet

10" Rough-in

Features:

- 1.6 gpf (6.0 Lpf)
- ADA Elongated Bowl
- XP-3 Technology
- 3" Flush Valve
- Fluidmaster® Fill Valve
- Glazed Trapway
- Reverse Trap
- Dual Feed Jet
- Available in White Only
- Side Tank Lever
- 2 Bolt Caps

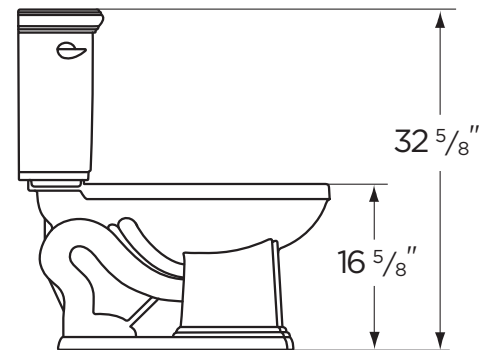
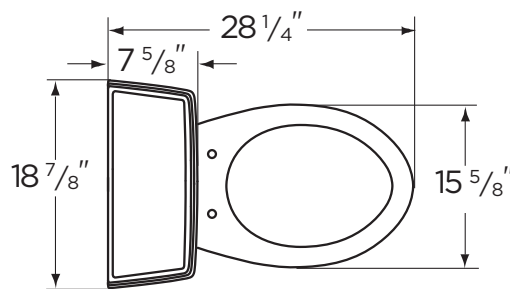


Dimensions:

- Height.....32 5/8"
- Width.....18 7/8"
- Depth.....28 1/4"
- Rough-in10"
- Water Surface from Rim5 1/8"
- Trapway.....2"
- Water Surface.....9 3/8" x 10 7/8"
- Water Seal.....2 5/8"
- Shipping Weight92 lbs

Specifications: Bowl—#21-538 Elongated Bowl
Seat not included

Tank—#28-535



THIS FIXTURE QUALIFIES ACCORDING TO ASME TEST PROCEDURES AS A WATER CLOSET WITH AN AVERAGE CONSUMPTION OF 1.6 GAL. OR LESS.



www.gerberonline.com

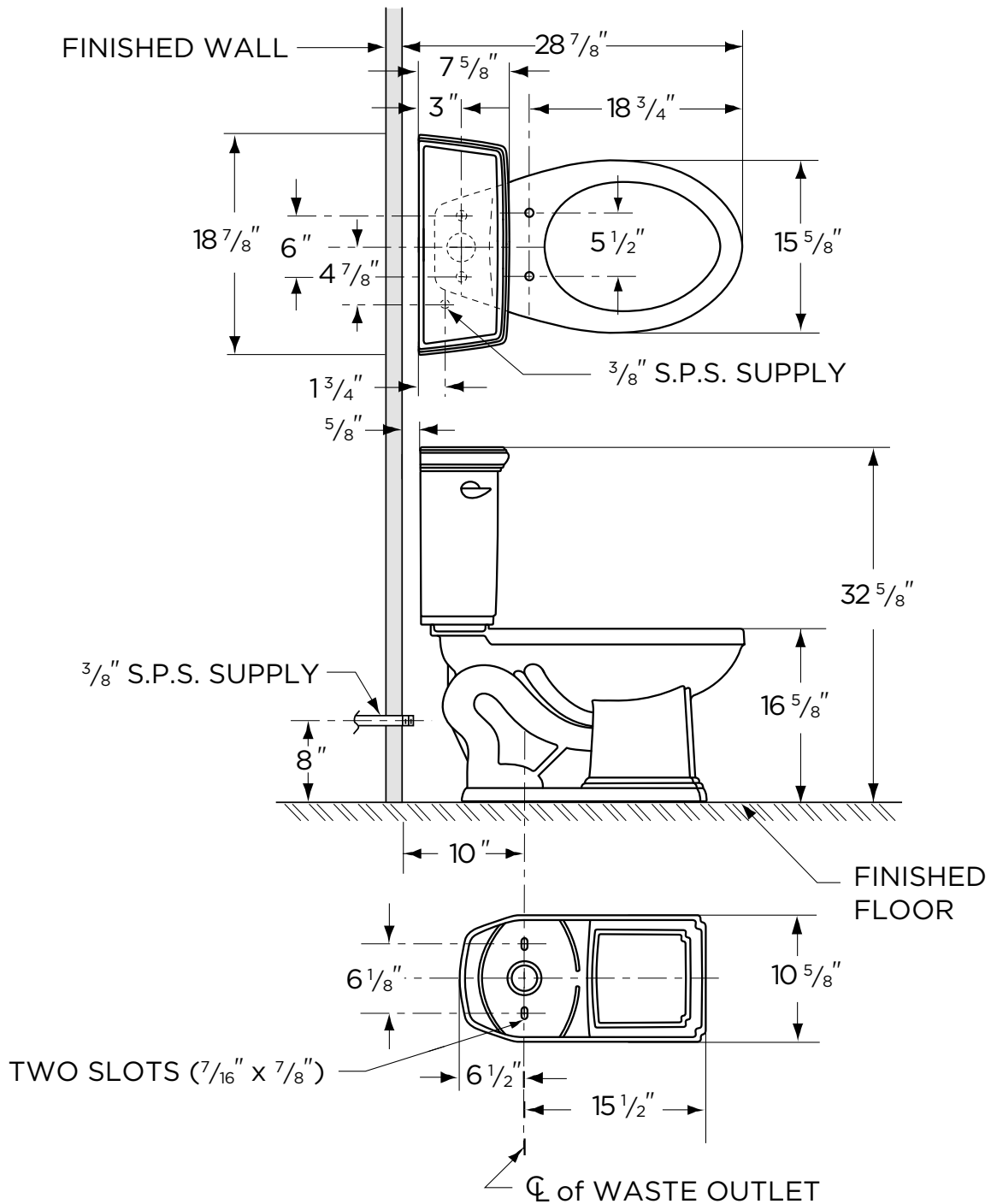
Job Name	
Date	
Model Specified	
Quantity	
Customer	
Contractor	
Architect/engineer	



1.6 gpf (6 Lpf) LOGAN SQUARE™ TOILET

20-019

17" High Elongated, 10" Rough-in
(Bowl 21-538 Elongated Bowl and Tank 28-535)



NOTES:
 All dimensions are in inches.
 Illustrations may not be drawn to scale.

IMPORTANT:
 Dimensions of fixtures are nominal and may vary within the range of tolerances established by ASME Standard A 112.19.2.
 THIS FIXTURE QUALIFIES ACCORDING TO ASME TEST PROCEDURES AS A WATER CLOSET WITH AN AVERAGE CONSUMPTION OF 1.6 GAL. OR LESS.