

## ULTRA FLUSH® Pressure-Assist Toilet Elongated, Back Outlet

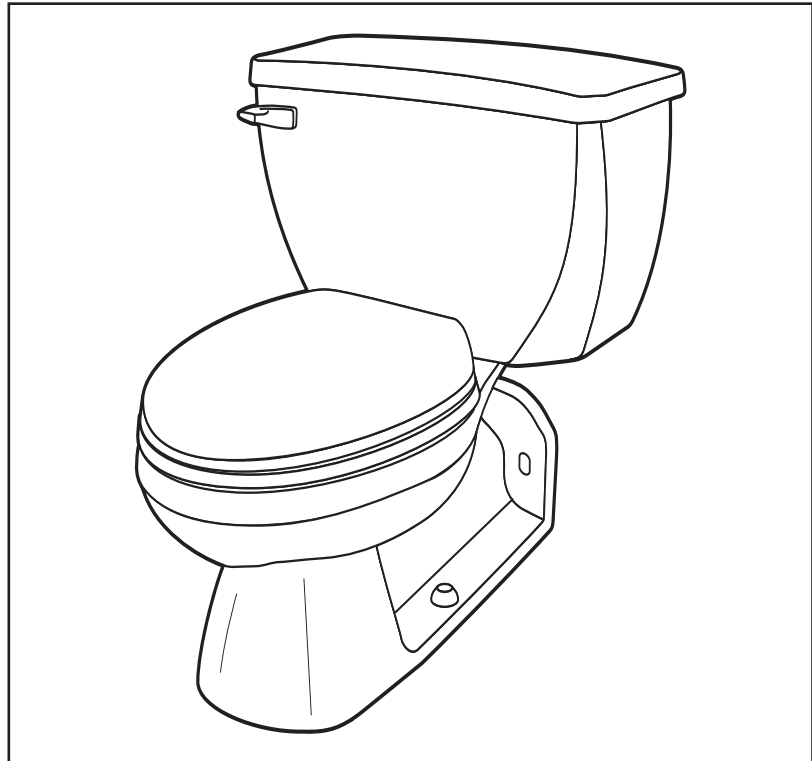


### Features:

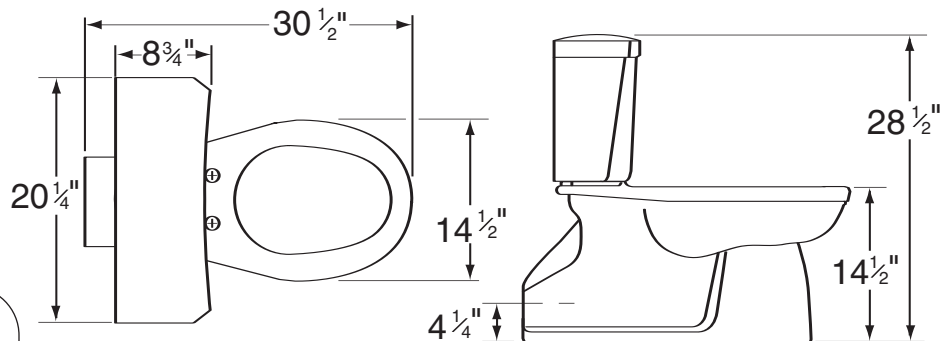
- Low Consumption 1.6 gpf (6.0 Lpf)
- Elongated Bowl
- Wall Waste Outlet
- Pressurized Flushing Action
- Close Coupled Flushometer Tank
- Siphon Jet
- Front Tank Lever
- 2 Bolt Caps

### Dimensions:

Height	28 1/2"
Width	20 1/4"
Depth	30 1/2"
Rough-in (vertical)	4 1/4"
Water Surface from Rim	4 1/2"
Trapway (min)	2"
Water Surface	14" x 10 1/2"
Water Seal	.3"
Shipping Weight	.99 lbs



**Specifications:** Bowl — #21-374 Elongated Bowl      Tank — #28-380  
Seat not included



THIS FIXTURE QUALIFIES ACCORDING TO ASME TEST PROCEDURES AS A LOW CONSUMPTION WATER CLOSET WITH AN AVERAGE CONSUMPTION OF 1.6 gpf (6 Lpf) OR LESS.



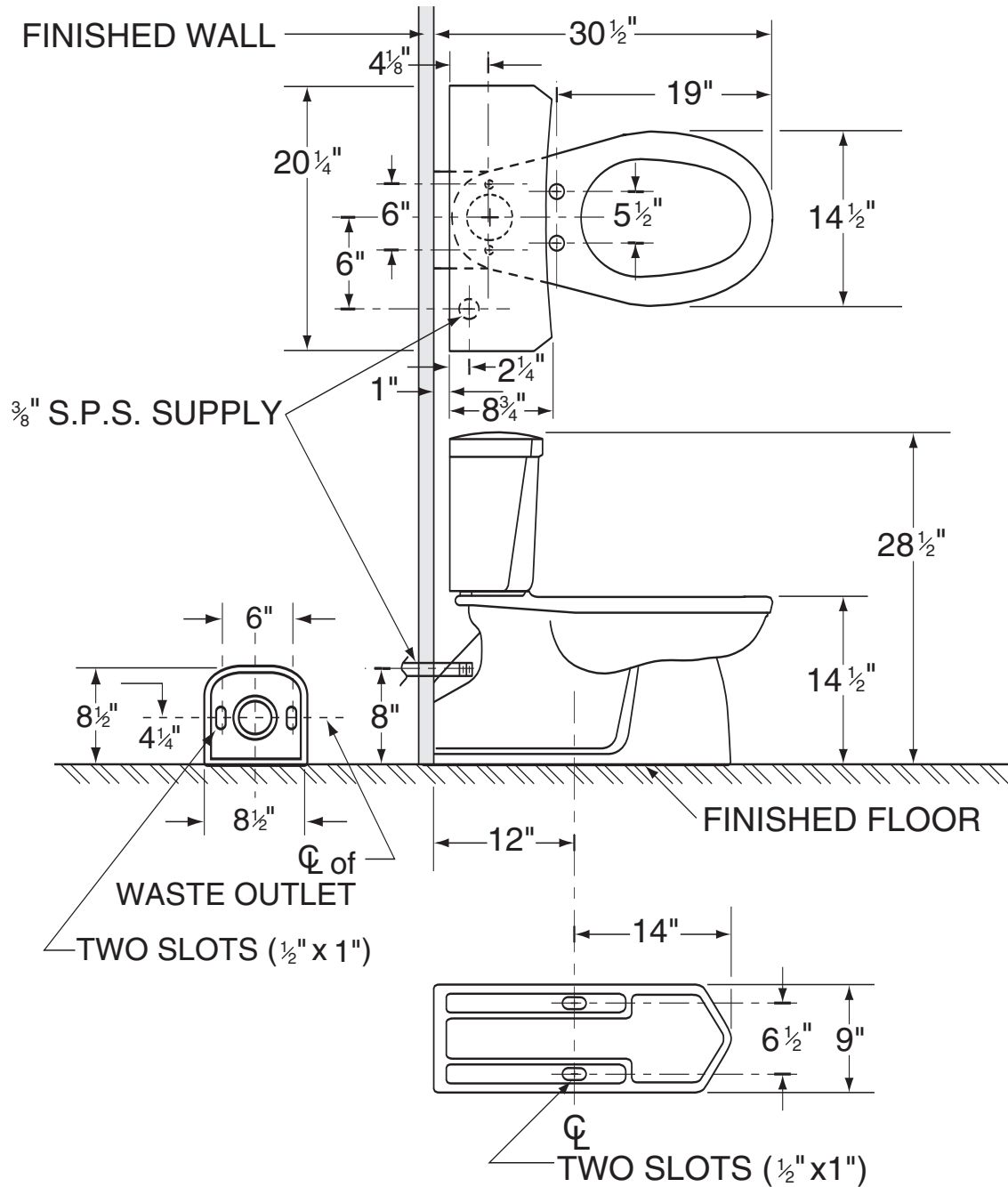
GERBER®  
YOUR BUSINESS. YOUR BRAND.  
www.gerberonline.com

Job Name	
Date	
Model Specified	
Quantity	
Customer	
Contractor	
Architect/engineer	

1.6 gpf (6 Lpf) LOW CONSUMPTION ULTRA FLUSH® TOILET 21-310

GERBER®

Elongated, Back Outlet  
(Bowl 21-374 with Tank 28-380)



**NOTES:**  
All dimensions are in inches.

Illustrations may not be drawn to scale.

**IMPORTANT:**  
Dimensions of fixtures are nominal and may vary within the range of tolerances established by ASME Standard A 112.19.2.

THIS FIXTURE QUALIFIES ACCORDING TO ASME TEST PROCEDURES AS A LOW CONSUMPTION WATER CLOSET WITH AN AVERAGE CONSUMPTION OF 1.6 gpf (6 Lpf) OR LESS.