



VITREOUS CHINA

TOILET  
21-317



# ULTRA FLUSH® Pressure-Assist Toilet 17" High, Elongated

10" Rough-in



### Features:

- Low Consumption 1.6 gpf (6.0 Lpf)
- Elongated Bowl
- Extra Seat Height
- Pressurized Flushing Action
- Close Coupled Flushometer Tank
- Siphon Jet
- Front Tank Lever
- Available With Tank Lever On Right Side - By Special Order
- 2 Bolt Caps
- ADA Compliant

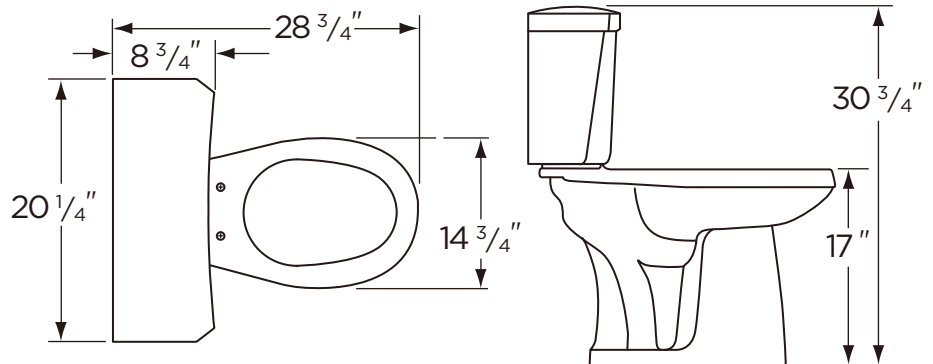


### Dimensions:

- Height ..... 30 1/2"
- Width ..... 20 1/4"
- Depth ..... 28 1/4"
- Rough-in ..... 10"
- Water Surface from Rim .... 4 1/2"
- Trapway (min)..... 2"
- Water Surface..... 12" x 10"
- Water Seal ..... 2 1/2"
- Shipping Weight ..... 94 lbs

**Specifications:** Bowl—#21-377 Elongated Bowl  
Seat not included

Tank—#28-385



THIS FIXTURE QUALIFIES  
ACCORDING TO ASME TEST  
PROCEDURES AS A LOW  
CONSUMPTION WATER CLOSET  
WITH AN AVERAGE CONSUMPTION  
OF 1.6 GAL. OR LESS.



www.gerberonline.com

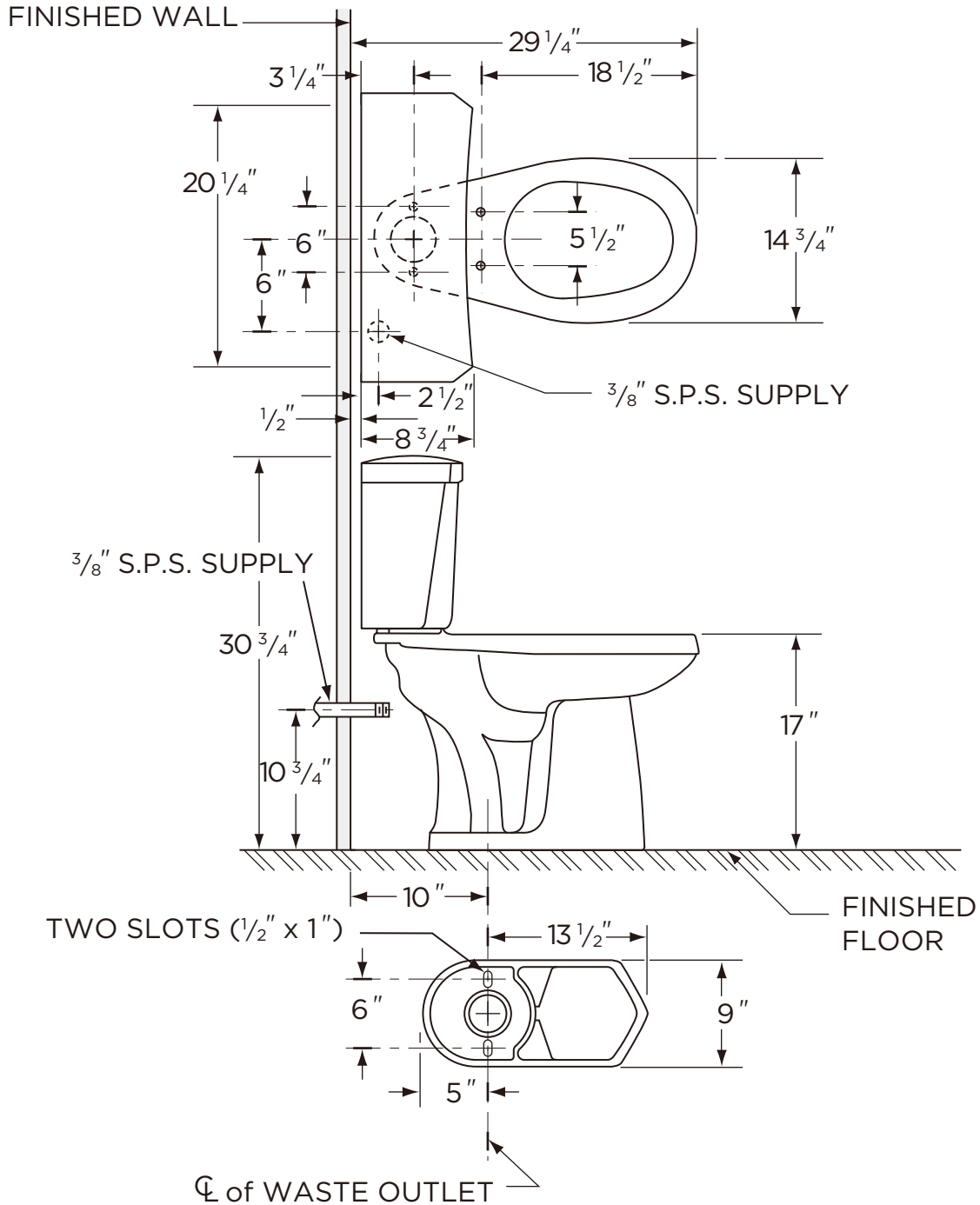
Job Name	
Date	
Model Specified	
Quantity	
Customer	
Contractor	
Architect/engineer	



# 1.6 gpf (6 Lpf) LOW CONSUMPTION ULTRA FLUSH® TOILET

21-317

17" High Elongated, 10" Rough-in  
(Bowl 21-377 with Tank 28-385)



**NOTES:**

All dimensions are in inches.

Illustrations may not be drawn to scale.

**IMPORTANT:**

Dimensions of fixtures are nominal and may vary within the range of tolerances established by ASME Standard A 112.19.2.

THIS FIXTURE QUALIFIES ACCORDING TO ASME TEST PROCEDURES AS A LOW CONSUMPTION WATER CLOSET WITH AN AVERAGE CONSUMPTION OF 1.6 gpf (6 Lpf) OR LESS.