



VITREOUS CHINA

TOILET  
21-412

LAVATORIES

TOILETS

BIDETS / URINALS

CAST IRON

# MAXWELL® Elongated Toilet

12" Rough-in



### Features:

- Low Consumption 1.6 gpf (6.0 Lpf)
- Elongated Bowl
- Slim Line Tank
- Glazed Trapway
- Reverse Trap
- Front Jet Flushing Action
- Front Tank Lever
- White, Bone, Biscuit
- 2 Bolt Caps
- Optional insulated tank to minimize condensation (use tank #28-492)

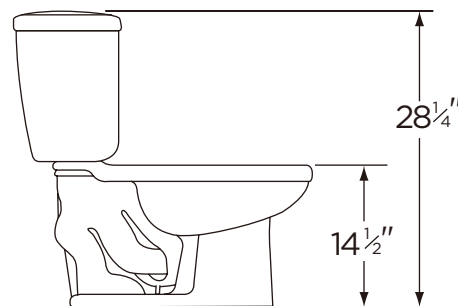
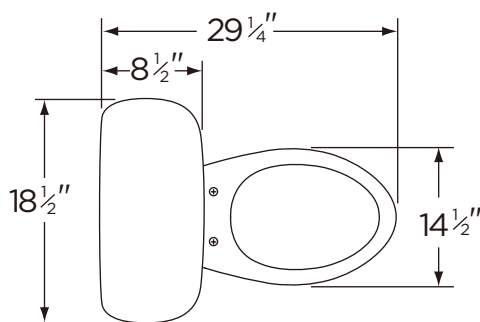


### Dimensions:

- Height ..... 28 1/4"
- Width ..... 18 1/2"
- Depth ..... 29 1/4"
- Rough-in ..... 12"
- Water Surface from Rim .... 5 1/4"
- Trapway (min)..... 2"
- Water Surface ..... 10 1/2" x 8 3/4"
- Water Seal ..... 2 1/8"
- Shipping Weight ..... 83 lbs

**Specifications:** Bowl—#21-762 Elongated  
Seat not included

Tank—#28-490



THIS FIXTURE QUALIFIES  
ACCORDING TO ASME TEST  
PROCEDURES AS A LOW  
CONSUMPTION WATER CLOSET  
WITH AN AVERAGE CONSUMPTION  
OF 1.6 GAL. OR LESS.



www.gerberonline.com

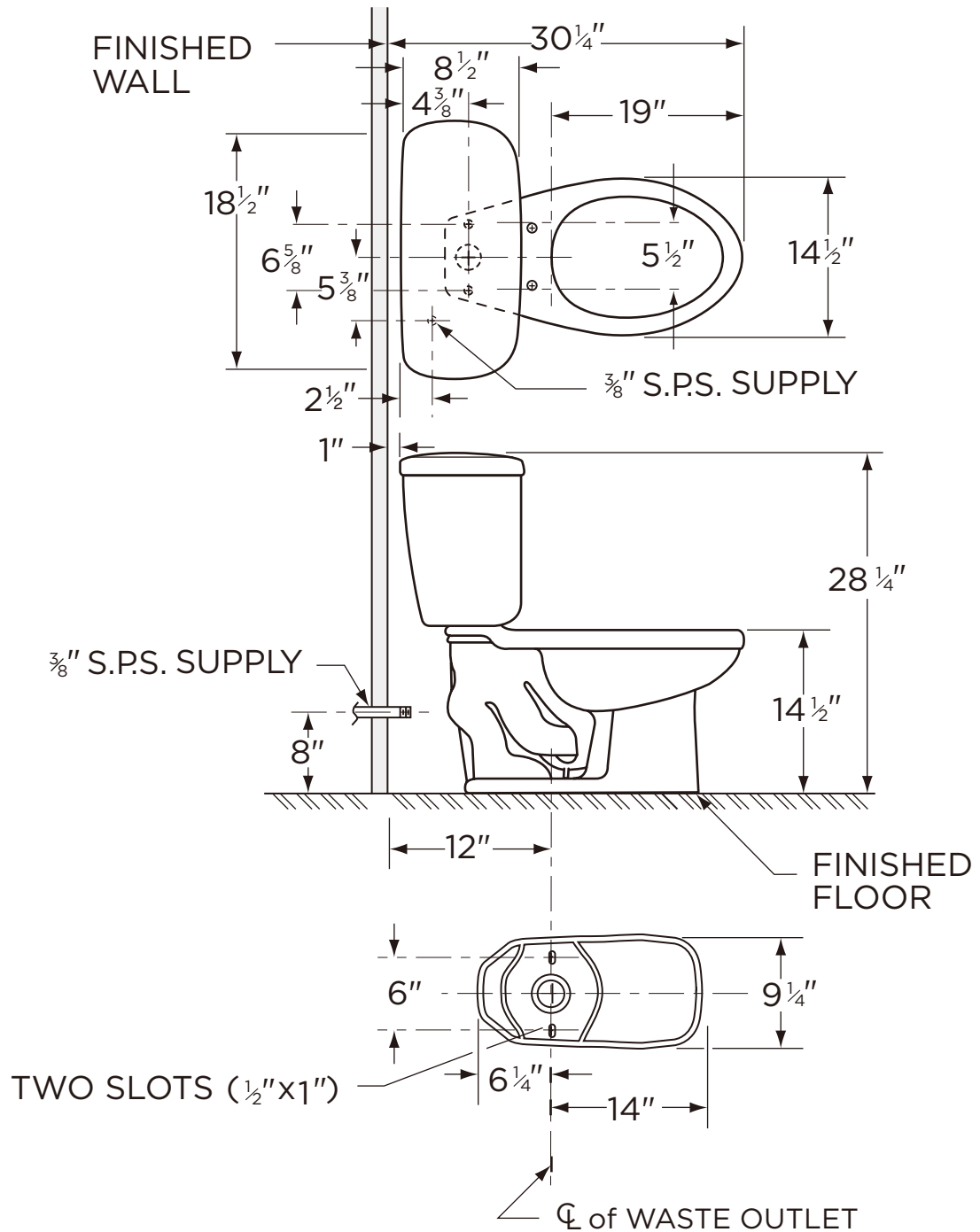
Job Name	
Date	
Model Specified	
Quantity	
Customer	
Contractor	
Architect/engineer	



1.6 gpf (6 Lpf) LOW CONSUMPTION MAXWELL® TOILET

21-412

Elongated, 12" Rough-in  
(Bowl 21-762 with Tank 28-490)



NOTES:  
All dimensions are in inches.

Illustrations may not be drawn to scale.

IMPORTANT:

Dimensions of fixtures are nominal and may vary within the range of tolerances established by ASME Standard A 112.19.2.

THIS FIXTURE QUALIFIES ACCORDING TO ASME TEST PROCEDURES AS A LOW CONSUMPTION WATER CLOSET WITH AN AVERAGE CONSUMPTION OF 1.6 gpf (6 Lpf) OR LESS.