

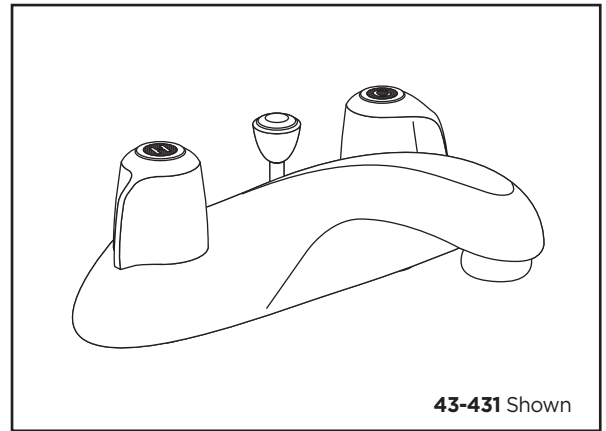


Two Handle Lavatory Faucet



Features:

- Cast brass, heavy chrome plated body
- Metal handles with acrylic hot and cold index buttons
- Compression stems with renewable brass seats
- Working parts can be easily replaced
- 4" centers for mounting
- 2.2gpm (8.3 L/min) @ 60 psi maximum aerator
- ADA compliant handles operate with less than 5 lbs. force



Technical Specifications:

- ASME A112.18.1M
- CABO/ANSI A117.1 (ADA)
- CSA B125
- ANSI/NSF 61-1997b

Catalog Numbers:

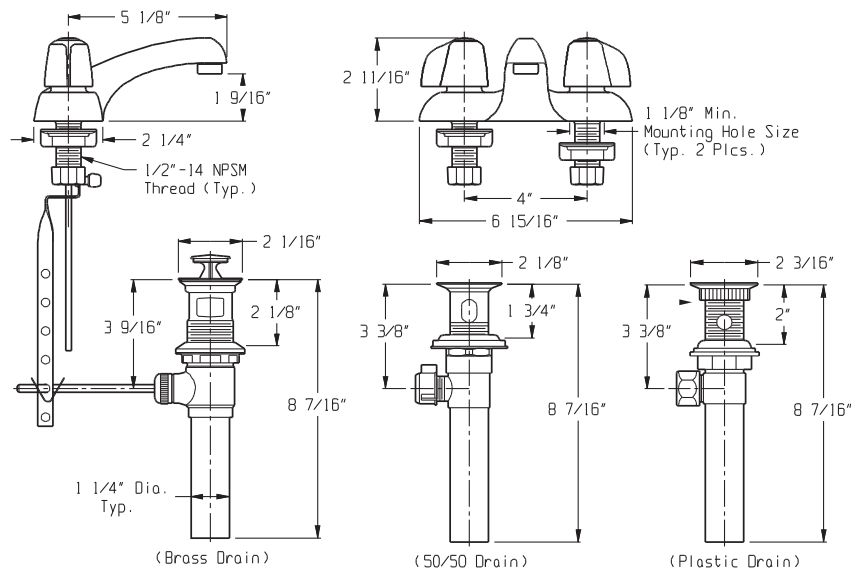
- 43-431** Metal Pop-up (Compression)
- 07-43-431** Metal Pop-up (Compression)
- 43-431-66** Metal Pop-up (Compression)
- 43-432** Plastic Pop-up (Compression)

Prefixes Available:

For Less Handles, Ceramic Cartridges,
See 53-100 Series
07- Metal Fluted Handles

Suffixes Available:

-66 Wrist Blade Handle



Job Name	
Date	
Model Specified	
Quantity	
Customer	
Contractor	
Architect/engineer	

Gerber Toll Free Technical Support: 888-648-6466
www.gerberonline.com