

ULTRA DUAL-FLUSH™ Pressure-Assist Toilet Round Front

12" Rough-in



Features:

- Low Consumption Dual-Flush (1.1/1.6 gpf) (4.0/6.0 Lpf)
- Round Front Bowl
- Pressurized Flushing Action
- Close Coupled Flushometer Tank
- Siphon Jet
- Front Tank Lever
- 2 Bolt Caps

Dimensions:

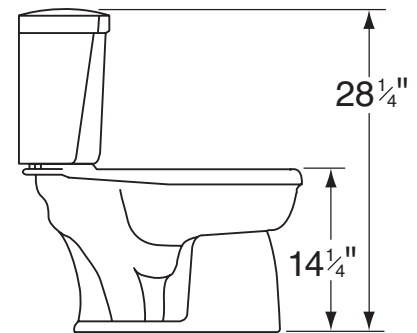
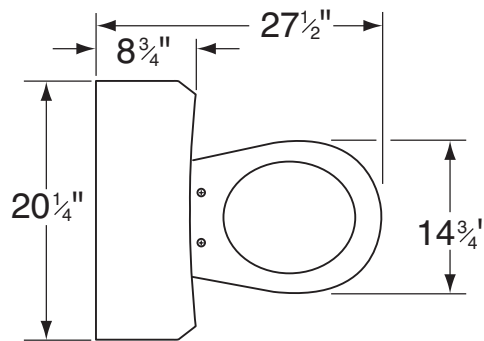
Height	28 1/4"
Width	20 1/4"
Depth	27 1/2"
Rough-in	12"
Water Surface from Rim	4 5/8"
Trapway (ave)*	3 1/8"
Trapway (min)	.2"
Water Surface	12" x 10"
Water Seal	2 1/2"
Shipping Weight	.88 lbs



*Average diameter of 26 equally spaced points throughout the trapway of 3 randomly selected bowls

Specifications: Bowl — #21-342 Round Front
Seat not included

Tank — #DF-28-380



THIS FIXTURE QUALIFIES ACCORDING TO ASME TEST PROCEDURES AS A LOW CONSUMPTION WATER CLOSET WITH AN AVERAGE CONSUMPTION OF 1.6 GAL. OR LESS.



GERBER®
YOUR BUSINESS. YOUR BRAND.
www.gerberonline.com

Job Name	
Date	
Model Specified	
Quantity	
Customer	
Contractor	
Architect/engineer	

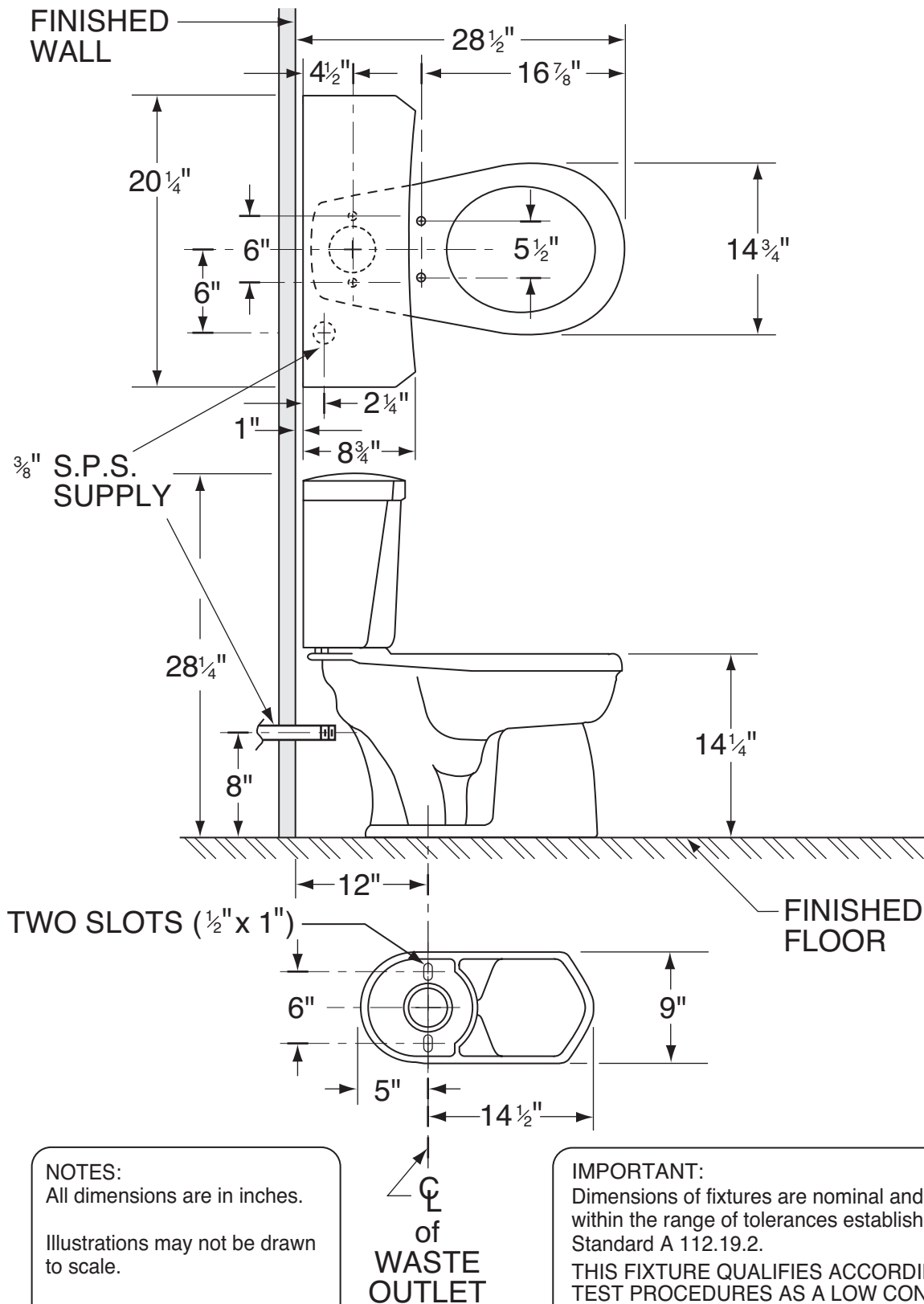
1.1/1.6 gpf (4.0/6.0 Lpf) LOW CONSUMPTION ULTRA DUAL-FLUSH™ TOILET

DF-21-302

Round Front, 12" Rough-in

(Bowl 21-342 with Tank DF-28-380)

GERBER®



NOTES:
All dimensions are in inches.
Illustrations may not be drawn to scale.

IMPORTANT:
Dimensions of fixtures are nominal and may vary within the range of tolerances established by ASME Standard A 112.19.2.
THIS FIXTURE QUALIFIES ACCORDING TO ASME TEST PROCEDURES AS A LOW CONSUMPTION WATER CLOSET WITH AN AVERAGE CONSUMPTION OF 1.6 gpf (6 Lpf) OR LESS.