

ULTRA DUAL-FLUSH™ Pressure-Assist Toilet Elongated

12" Rough-in



Features:

- Low Consumption Dual-Flush (1.1/1.6 gpf) (4.0/6.0 Lpf)
- Elongated Bowl
- Pressurized Flushing Action
- Close Coupled Flushometer Tank
- Siphon Jet
- Front Tank Lever
- 2 Bolt Caps

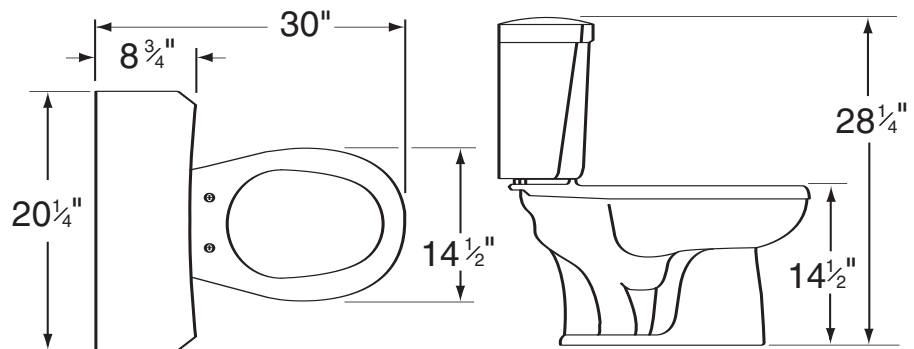
Dimensions:

Height	28 1/4"
Width	20 1/4"
Depth	30"
Rough-in	12"
Water Surface from Rim	4 1/2"
Trapway (ave)*	3 1/3"
Trapway (min)	2"
Water Surface	12 1/2" x 10 1/2"
Water Seal	2 1/2"
Shipping Weight	.90 lbs



*Average diameter of 26 equally spaced points throughout the trapway of 3 randomly selected bowls

Specifications: Bowl — #21-372 Elongated Bowl Tank — #DF-28-380
Seat not included



THIS FIXTURE QUALIFIES ACCORDING TO ASME TEST PROCEDURES AS A LOW CONSUMPTION WATER CLOSET WITH AN AVERAGE CONSUMPTION OF 1.6 gpf (6 Lpf) OR LESS.



GERBER®
YOUR BUSINESS. YOUR BRAND.
www.gerberonline.com

Job Name	
Date	
Model Specified	
Quantity	
Customer	
Contractor	
Architect/engineer	

