



ULTRA DUAL-FLUSH™ Pressure-Assist Toilet 17" High, Elongated

12" Rough-in



Features:

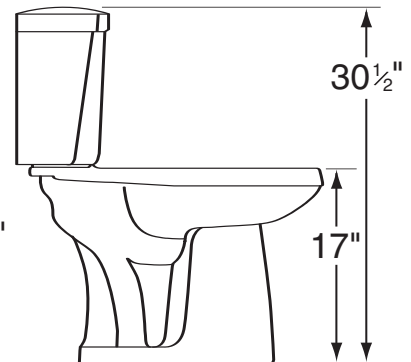
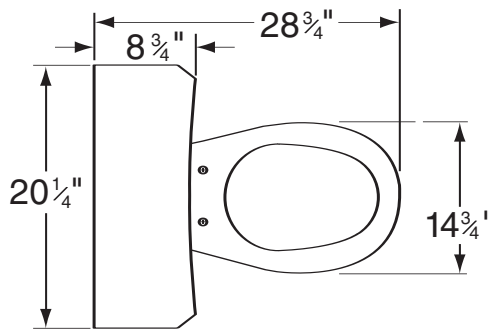
- Low Consumption Dual-Flush (1.1/1.6 gpf) (4.0/6.0 Lpf)
- Elongated Bowl
- Extra Seat Height
- Pressurized Flushing Action
- Close Coupled Flushometer Tank
- Siphon Jet
- Front Tank Lever
- Available With Tank Lever On Right Side – By Special Order
- 2 Bolt Caps
- ADA Compliant

Dimensions:

Height	30 1/2"
Width	20 1/4"
Depth	28 3/4"
Rough-in	12"
Water Surface from Rim	4 1/2"
Trapway (min)	2"
Water Surface	12" x 10"
Water Seal	2 1/2"
Shipping Weight	.94 lbs



Specifications: Bowl — #21-377 Elongated Bowl Tank — #DF-28-380
Seat not included



THIS FIXTURE QUALIFIES ACCORDING TO ASME TEST PROCEDURES AS A LOW CONSUMPTION WATER CLOSET WITH AN AVERAGE CONSUMPTION OF 1.6 gpf (6 Lpf) OR LESS.



GERBER®
YOUR BUSINESS. YOUR BRAND.
www.gerberonline.com

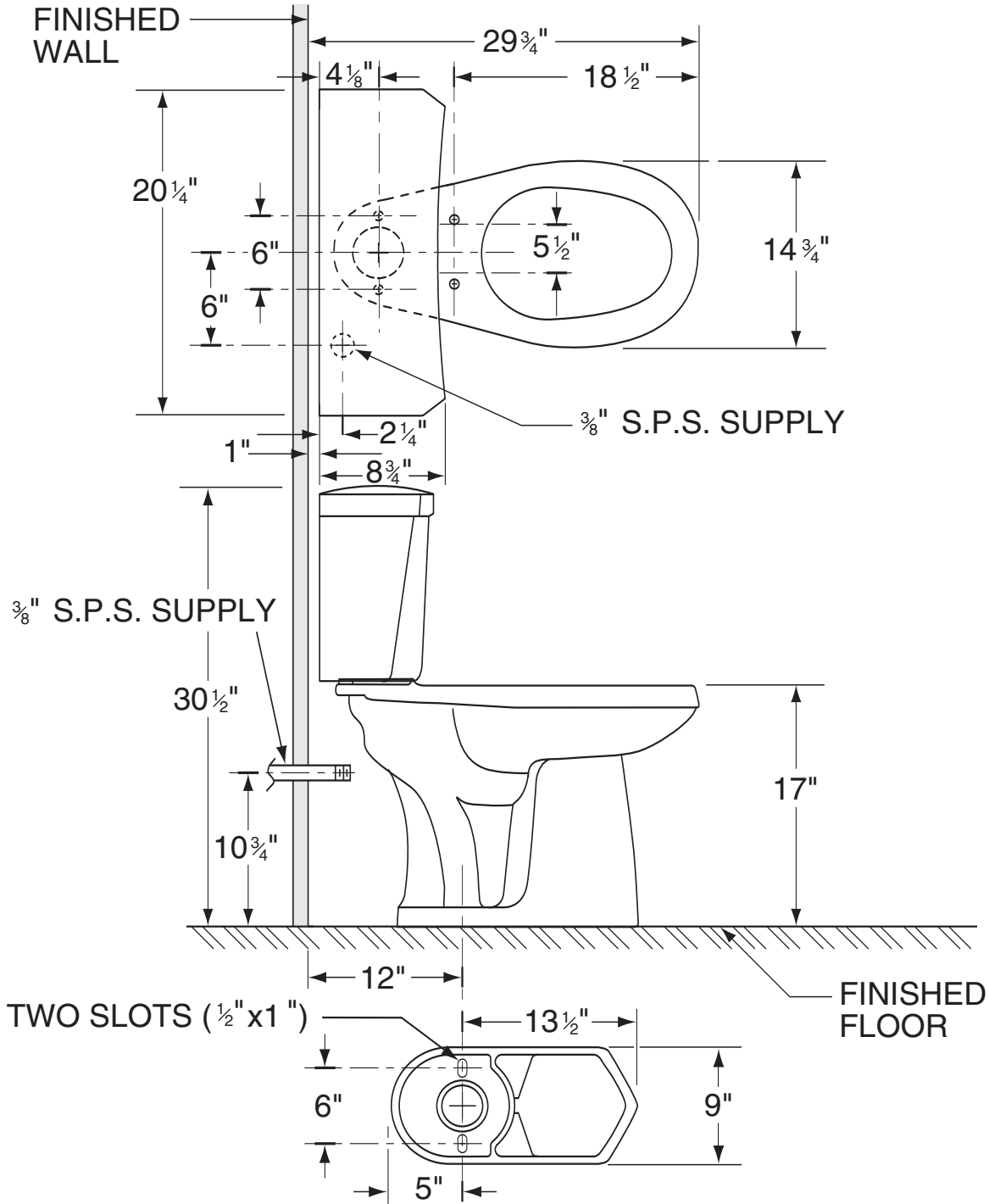
Job Name	
Date	
Model Specified	
Quantity	
Customer	
Contractor	
Architect/engineer	

1.1/1.6 gpf (4.0/6.0 Lpf) LOW CONSUMPTION ULTRA DUAL-FLUSH™ TOILET

DF-21-318

17" High Elongated, 12" Rough-in
(Bowl 21-377 with Tank DF-28-380)

GERBER®



NOTES:
All dimensions are in inches.

Illustrations may not be drawn
to scale.

IMPORTANT:

Dimensions of fixtures are nominal and may vary
within the range of tolerances established by ASME
Standard A 112.19.2.

THIS FIXTURE QUALIFIES ACCORDING TO ASME
TEST PROCEDURES AS A LOW CONSUMPTION
WATER CLOSET WITH AN AVERAGE CONSUMP-
TION OF 1.6 gpf (6 Lpf) OR LESS.