



ULTRA DUAL-FLUSH™
Pressure-Assist Toilet
17" High, Elongated, Back Outlet



Features:

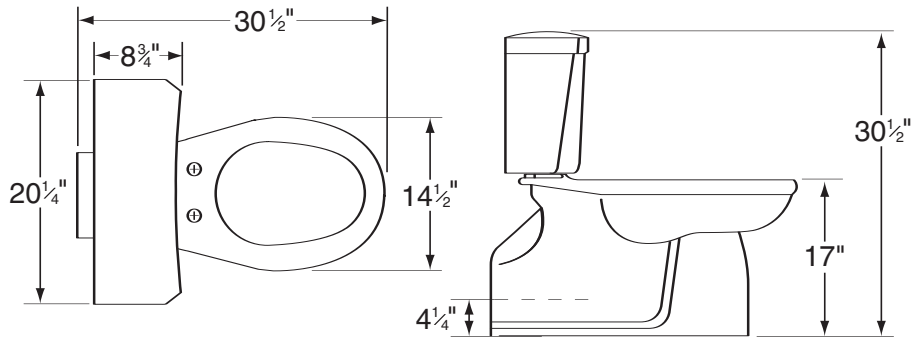
- Low Consumption Dual-Flush (1.1/1.6 gpf) (4.0/6.0 Lpf)
- Elongated Bowl
- Wall Waste Outlet
- Pressurized Flushing Action
- Close Coupled Flushometer Tank
- Siphon Jet
- Front Tank Lever
- ADA Compliant
- 2 Bolt Caps

Dimensions:

- Height 30 1/2"
- Width..... 20 1/4"
- Depth 30 1/2"
- Rough-in (vertical) 4 1/4"
- Water Surface from Rim 4 1/2"
- Trapway (min) 2"
- Water Surface..... 14 x 11"
- Water Seal 3"
- Shipping Weight.....105 lbs



Specifications: Bowl — #21-375 Elongated Bowl Tank — #DF-28-380
Seat not included



THIS FIXTURE QUALIFIES ACCORDING TO ASME TEST PROCEDURES AS A LOW CONSUMPTION WATER CLOSET WITH AN AVERAGE CONSUMPTION OF 1.6 gpf (6 Lpf) OR LESS.



GERBER®
YOUR BUSINESS. YOUR BRAND.
www.gerberonline.com

Job Name	
Date	
Model Specified	
Quantity	
Customer	
Contractor	
Architect/engineer	

