

MAURICE™ TOILET

1. Before installation, check tightness of nuts (I) on brass bolts and nut on water supply shank.

2. The water supply coupling nut (F) is provided to connect the water supply to the water supply shank. **USE NO PIPE DOPE. HAND TIGHTEN ONLY!** OVERTIGHTENING MAY SPLIT THE WATER SUPPLY SHANK AND WILL VOID THE WARRANTY!

3. Plastic bolt caps and washers (H) are provided to be used as indicated in the installation.

4. When you turn the water supply on, you will hear flow into the tank. When the flow stops (usually between 60 and 90 seconds), the flushometer/tank has filled and is ready to flush.

NOTE: Time must be allowed for this refill after every flush.

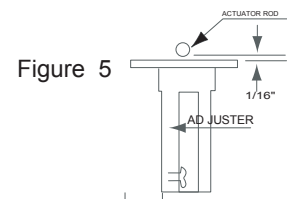
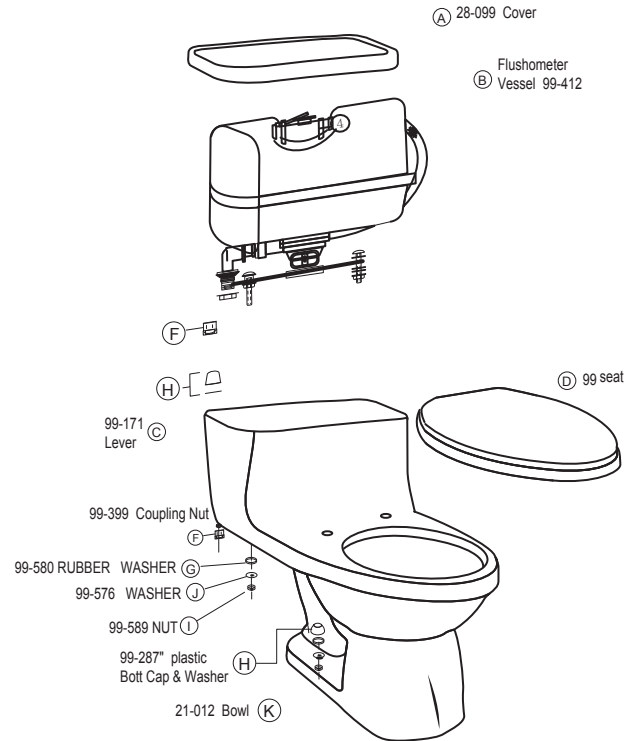
5. For best actuating performance, at rest there should be an approximate 1/16" gap between the actuator rod and the adjuster.

If it is necessary to make this adjustment, it should be done with water supply attached and unit pressurized.

Loosen set screw (inside adjuster shank) and rotate adjuster to give the required gap and retighten set screw. (See Figure 5.)

6. Check action and lock nut tightness of tank lever (C).

7. Install toilet seat (D) using manufacture's hardware included with seat. **DO NOT OVERTIGHTEN.**



DO NOT EXPOSE PLASTIC TRIM PARTS TO STRONG OXIDIZING OF LOWER THAN 5.0pH. SOME BOWL/TILE

TANK TYPE BOWL CLEANERS CAN CAUSE TANK WARRANTY EXCLUDES

GERBER®

PROFESSIONAL PERFORMANCE

www.gerberonline.com